

®

elmex

since 1963



● **Converging Innovations**

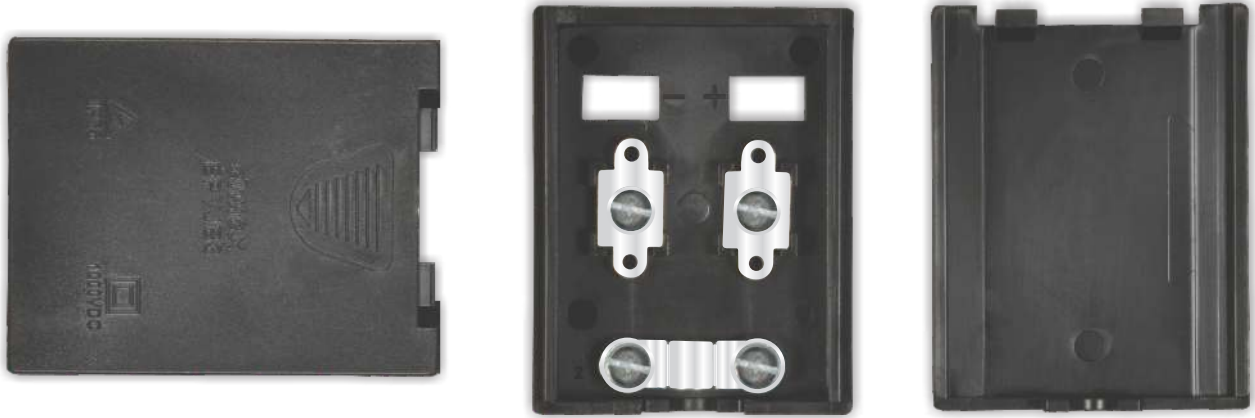
● **Expanding Solutions**



**Solutions For
Solar Photovoltaic**

'elmex' JUNCTION BOX FOR STREET LIGHT APPLICATION

'elmex' has developed junction box suitable for Solar street light panel application. 'elmex' street light junction box is suitable for 1000V DC application and is designed with sliding snap fit locking arrangement. 'elmex' EPVJB3 & EPVJB6 are available with 2-in and 1-out cable connection.



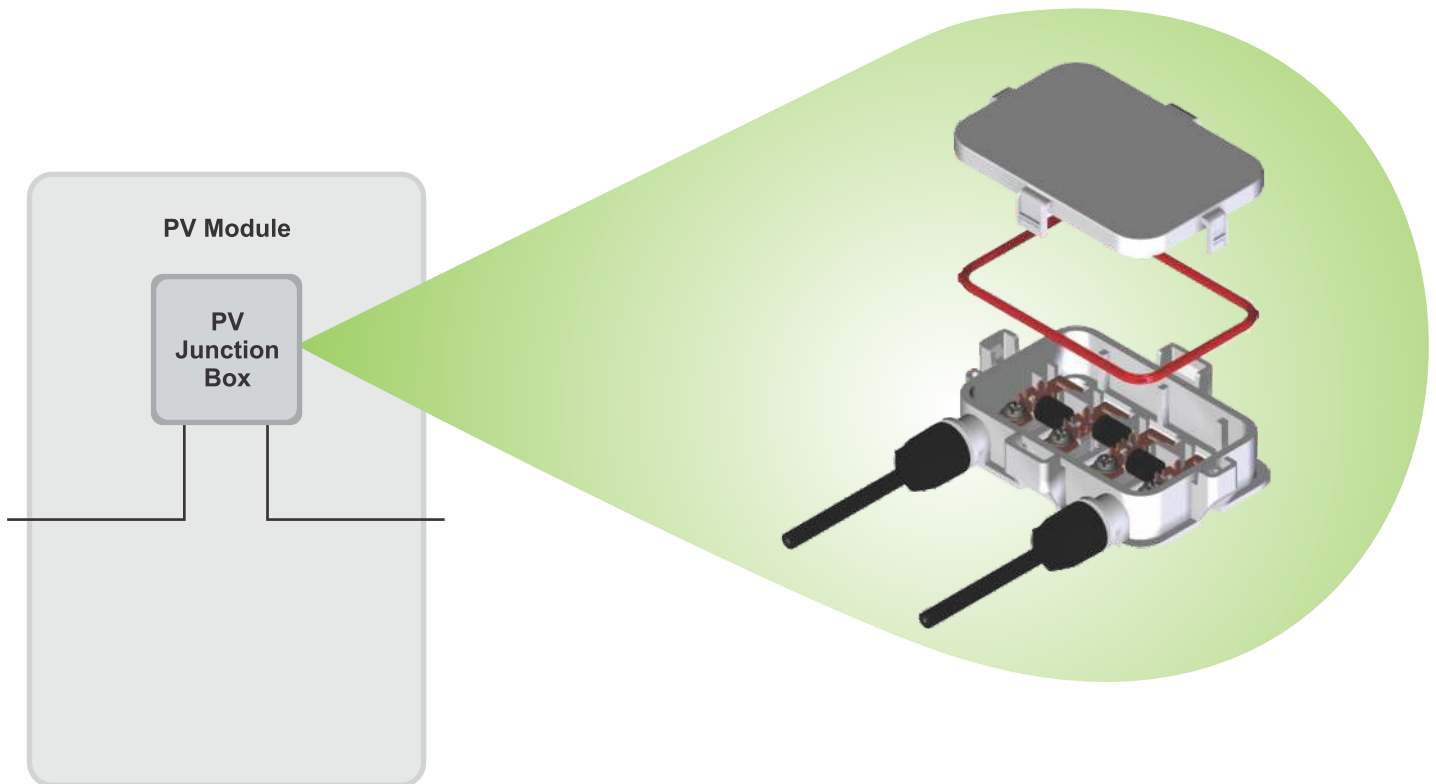
Description	'elmex' Specification EPVJB3	'elmex' Specification EPVJB6
Rated Voltage	1000V DC	1000V DC
Rated Current	3 A	6 A
Contact Material	Brass With Tin And Nickel Plating	Brass With Tin And Nickel Plating
Temperature	-40°C to +85°C	-40°C to +85°C
Degree of Protection	IP 65	IP 65
Application	30 W TO 50 W	3 W TO 20 W



'elmex' PHOTOVOLTAIC SOLAR PANEL JUNCTION BOX

'elmex' introduces junction box for electrical connection from PV Crystalline module as a solution for easy and reliable interconnection from PV module to DC/AC converters. 'elmex' junction box has simple and cost effective assembly designed with snap fit locking arrangement with IP 65 protection sealing requirement for PV industry. The junction box is provided with two cables each of 1 meter length with 'elmex' make male and female EMPV4 connector for simple on-site process.

Description	'elmex' Specification
Rated Voltage	1000V DC
Rated Current	13 A
Degree of Protection	IP 65
Safety Class	III
Type of Terminal	Soldering + Fastening
Number of Diodes	3
Locking System	Snap In



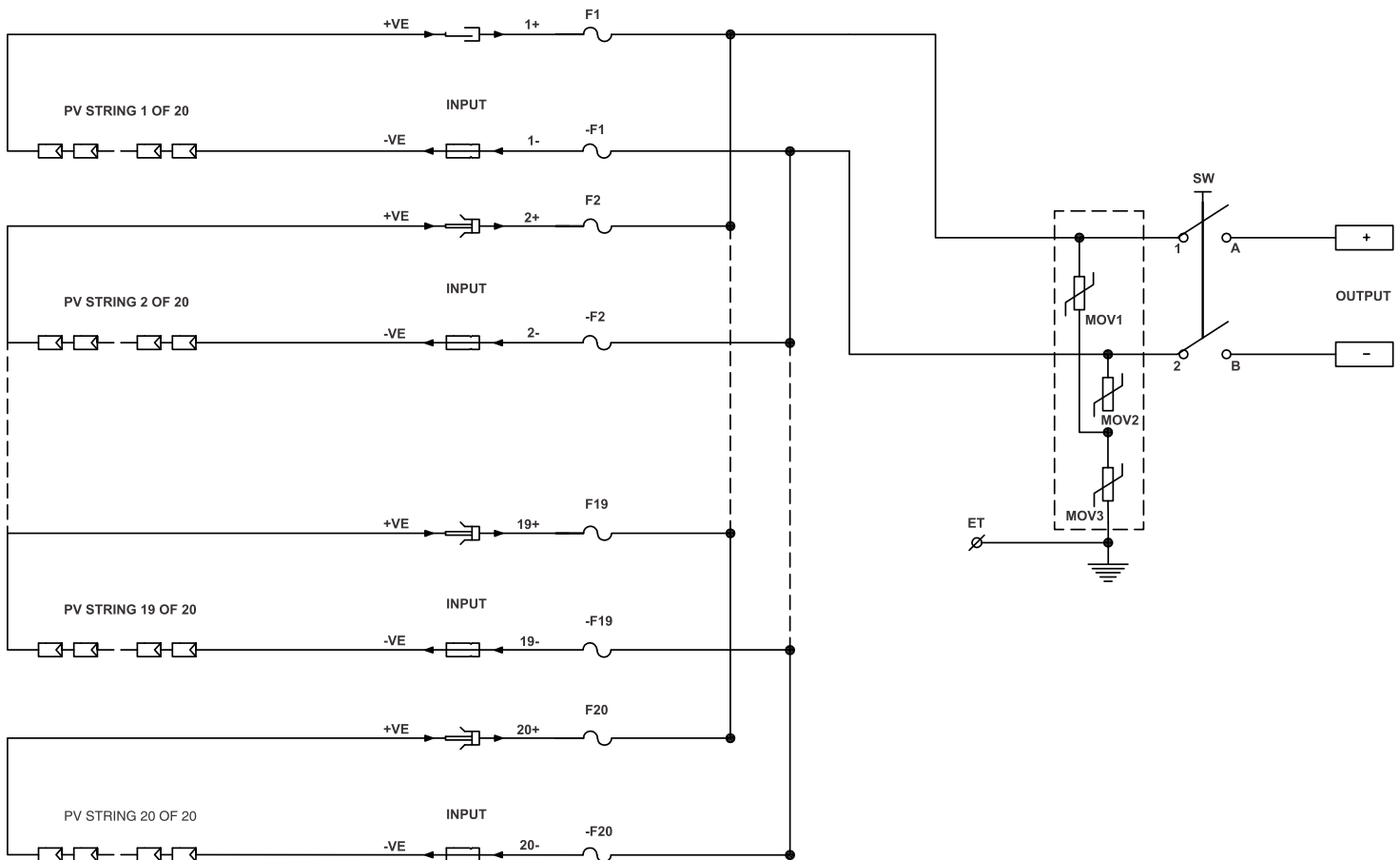
'elmex' PHOTOVOLTAIC SOLAR COMBINER BOX

'elmex' intends to provide specialized electrotechnical components which are ideally suited for the construction of photovoltaic installations. Combiner box bundles strings, enables isolation and overvoltage protection and can even be made pluggable. 'elmex' delivers customized array box solutions applicable for photovoltaic solar energy generation. The combiner box is an interface between the array and inverter. This component is very important for the smooth operation of a solar installation. All components are characterized by a high degree of reliability. The robust design enables uninterrupted operation even under unsmooth conditions.

Variants

Standard String Box Panel with blocking diode with fuse on +ve line	2 Strings to 20 Strings
Standard String Box Panel without diode with fuse on +ve line	2 Strings to 20 Strings
Standard String Box Panel with diode with fuse on both lines	2 Strings to 20 Strings
Standard String Box Panel without diode with fuse on both lines	2 Strings to 20 Strings

Electrical Connection





Elmex Controls Pvt. Ltd.
Elmex Electric Pvt. Ltd.

12, GIDC Estate, Makarpura Road, Vadodara 390 010, India.
Telephones: +91-265-2642021, 2642023 ❖ Facsimile: +91-265-2638646
e-mail: marketing@elmex.net ❖ URL: www.elmex.net

